

SPA-310 • SFA-291 Ice Dispensers



SPA Model

- Designed for ice bucket filling in hotels, motels, and resorts
- Ice only dispense, with coin-op and room card dispensing control options



S-Series 450 Ice Machine
SPA-310 Ice Dispenser

SFA Model

- Designed for "large" container ice filling. Accepts up to 10.5" (26.67 cm) high container
- Built-in water valve



S-Series 450 Ice Machine
SFA-291 Ice & Water Dispenser



- 180 lbs. (82 kgs.) ice storage capacity. Accepts 22" (55.88 cm) or 30" (76.2 cm) wide Manitowoc ice machine
- Only 30" (76.2 cm) wide, 32" (81.28 cm) deep, and 82" high (208.28 cm)
- Patented rocking chute dispense mechanism reduces in-flight ice and ice spillage with quick on/off activation
- Efficient built-in agitator assures 100% dispensing. Oversized drain pan collects larger quantity of ice overflow

- **Warranty**
5-year parts and 5-year labor coverage on ice machine evaporator
5-year parts and 3-year labor coverage on ice machine compressor
3-year parts-and-labor coverage on all other ice machine and dispenser components



ISO 9001:2000
Quality System Certified

America's #1 Selling Ice Machine

Ice Cube & Flake Machines • Ice Storage Bins • Ice Dispensers

Manitowoc

Manitowoc SPA-310 • SFA-291 Ice Dispensers

SERIES 300 (115V)

24-HOUR PRODUCTION †						lbs. kgs.	
AIR-COOLED UNIT			WATER-COOLED UNIT				
air temp	water temp		air temp	water temp			
°F	50°	70°	90°	°F	50°	70°	90°
°C	10°	21°	32°	°C	10°	21°	32°
70°	325	295	270	70°	310	285	260
21°	147	134	122	21°	143	129	118
80°	305	275	250	80°	305	280	255
27°	138	125	113	27°	138	137	116
90°	285	255	235	90°	295	270	250
32°	129	116	107	32°	134	122	113

†Production for Dice and Half Dice cubes. Data is published for 60 Hz machines. 50 Hz machines produce approximately 7% less ice.

SERIES 450 (115V)

24-HOUR PRODUCTION †						lbs. kgs.	
AIR-COOLED UNIT			WATER-COOLED UNIT				
air temp	water temp		air temp	water temp			
°F	50°	70°	90°	°F	50°	70°	90°
°C	10°	21°	32°	°C	10°	21°	32°
70°	450	420	390	70°	470	440	400
21°	204	191	177	21°	213	200	181
80°	430	400	370	80°	460	430	390
27°	195	181	168	27°	209	195	177
90°	410	380	350	90°	450	420	380
32°	186	173	159	32°	204	191	172

†Production for Dice and Half Dice cubes. Data is published for 60 Hz machines. 50 Hz machines produce approximately 7% less ice.

SERIES 600 (208-230V)

24-HOUR PRODUCTION †								lbs. kgs.			
AIR-COOLED UNIT		WATER-COOLED UNIT		REMOTE AIR-COOLED UNIT							
air temp	water temp	air temp	water temp	air temp	water temp	air temp	water temp				
°F	50°	70°	90°	°F	50°	70°	90°	°F	50°	70°	90°
°C	10°	21°	32°	°C	10°	21°	32°	°C	10°	21°	32°
70°	650	600	560	70°	650	630	590	-20° to 70°	630	580	550
21°	295	272	254	21°	295	286	268	-29° to 21°	286	263	249
80°	640	580	550	80°	640	620	580	90°	620	570	530
27°	290	263	249	27°	290	281	263	32°	281	259	240
90°	590	540	510	90°	630	610	580	100°	580	530	500
32°	268	245	231	32°	286	277	263	38°	263	240	227

†Production for Dice and Half Dice cubes. Data is published for 60 Hz machines. 50 Hz machines produce approximately 7% less ice.

 **Certified In Accordance With ARI Ice Storage Bins Certification Program, which is based on ARI Standard 820**

Note: Dispenser will accept single 22" or 30" wide ice machine.
Ice machine ordered separately. Choose Dice or Half Dice cube size. Refer to ice machine specification sheet for electrical and complete ARI standard ratings.

Dispenser Electric: 115/60/1. (208-230/60/1 and 230/50/1 also available.)

Maximum Circuit Fuse Size: 15.0 amps. HACR-type circuit breakers can be used in place of fuses.

Dispenser Electrical Connection: 6' power cord, rated 125 VAC, 16-3 conductors with standard 3-prong, straight-blade, ground-type plug (NEMA configuration 5-15P).

Motor: 1.6 amps maximum. Permanently lubricated.

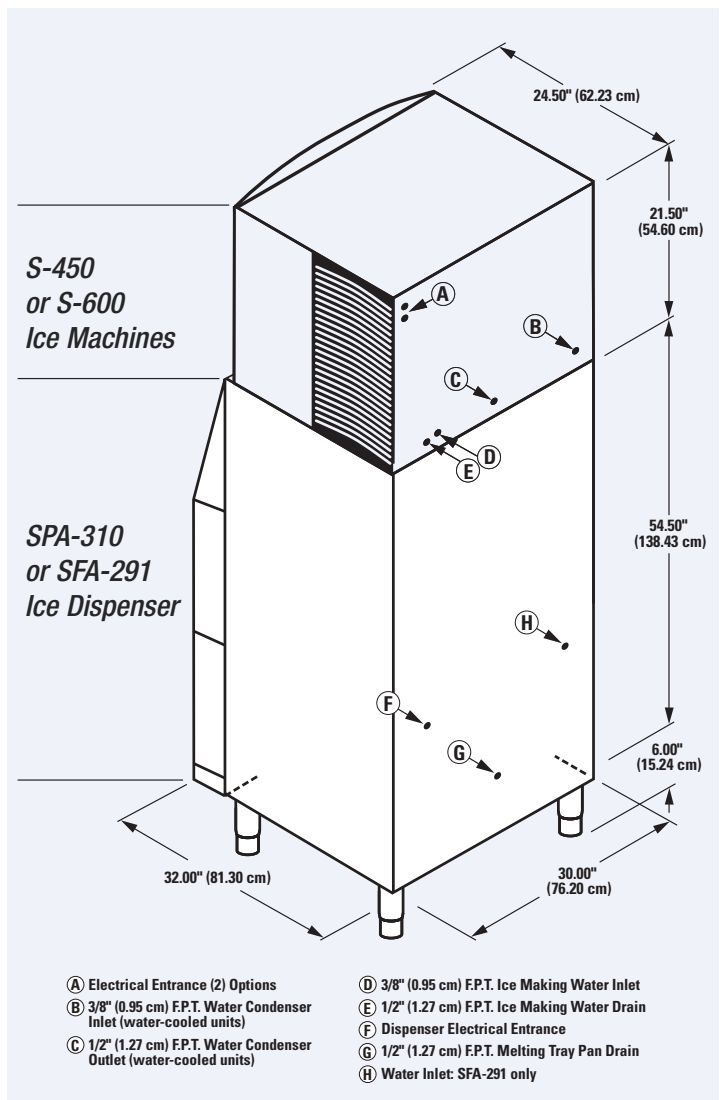
Service Access: Dispenser door removes easily to access components.

Model Options: SPA-310 push for ice rocking chute, SCA-330 coin-op and SRA-340 room card control available. To field-convert SPA-310 to SRA-340, call factory for information. SFA-291 has a water valve option.

 **Mixed Sources**
 Product group from well-managed forests, controlled sources and recycled wood or fiber
www.fsc.org Cert no. SW-COC-1886
 © 1996 Forest Stewardship Council



We are committed to protecting the environment and its resources. For up-to-date product data always view an electronic version on our web site.



©2008 Manitowoc 9/08 Continuing product improvement may necessitate change of specifications without notice. 4359

Installation Note - Dispensers have no minimum clearance, when installing an ice machine/dispenser combination follow the clearance requirements for the ice machine being installed.

AuCS®SI Accessory



Automatic Cleaning System purchased factory installed in the machine or as an option for field retrofit.

2 Cube Sizes Available

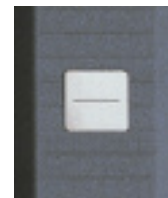


Half Dice
 3/8" x 1/8" x 7/8"
 (.95 x 2.86 x 2.22 cm)



Dice
 7/8" x 7/8" x 7/8"
 (2.22 x 2.22 x 2.22 cm)

Options for SPA-310



Room Card SRA-340



Coin-Op SCA-330
 25-cent coin standard.



MANITOWOC ICE
 2110 South 26th Street, P.O. Box 1720
 Manitowoc, WI 54221-1720, USA
 Ph: 920-682-0161 • Fax: 920-683-7589
 Visit us online at www.manitowocice.com

